

marantz® SERVICE BULLETIN		Date: 6-Nov-98	Model: 74ST17/02B/02G
		Page: 1/1	REF.NB MZ98-030
Circulation:		Subject:	
Application:		Remote control modification. (Add IR sensor for remote operation.)	
x for information customer complaint in case of service mandatory			
Only required case from a customer.			

[SOLUTION]

Modify the front panel assembly as following procedure.

1. Disassemble the front panel assembly from the product and remove 017B, 026B and PCB PS02 from the front panel (002B). (Fig.1)
2. Add the IR lens (013B: **4822 381 12024** [/02B] or **4822 381 12025** [/02G]) with dual side adhesive tape to the hole of PTY button on the front panel. (Fig.1)
3. Cut the PTY button and the button guide. (Fig. 2 : Gray part)
4. Remove the tact switch (SS24). And add the IR sensor (QS03: **4822 130 11494**) with the formed rubber (13x10x10). (Fig. 3)
5. Add diodes DS03, DS04 (**4822 130 32362**), transistors QS04 (**4822 130 61227**), QS05 (**4822 130 42594**), resistors RS63 (**180 ohm 1/6W**), RS65 (**10K ohm 1/6W**). (refer the service manual 4822 725 51167 page 7 and page 9)
6. Reassemble the front panel. (Fig. 1 & 4)
7. Press POWER switch while depressing **DISPLAY** button and **BAND**, if FL display shows <RC INT> then modification had succeed.

- Every MARANTZ remote control units which including TUNER mode are available for command transmit.

[REMARK]

This information is applied to Europe, Africa and Middle East only. "PTY" function is not available after this modification.

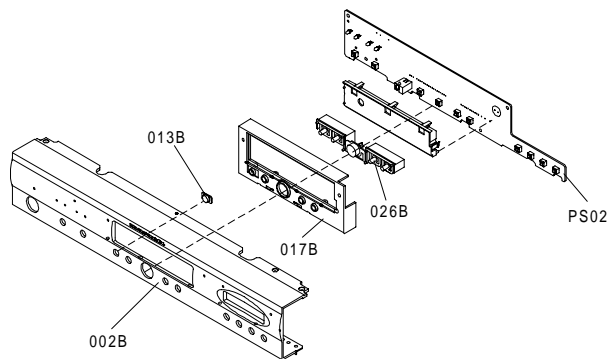


Fig. 1

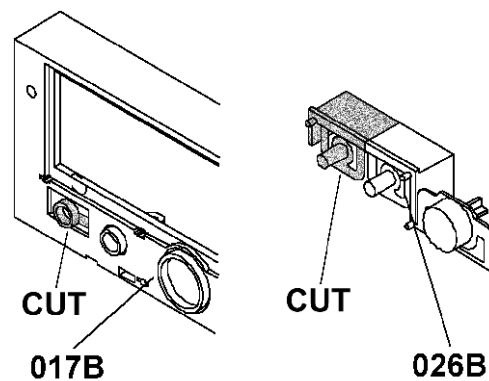


Fig. 2

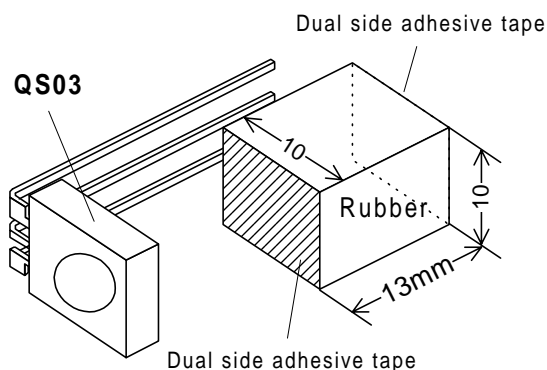


Fig. 3

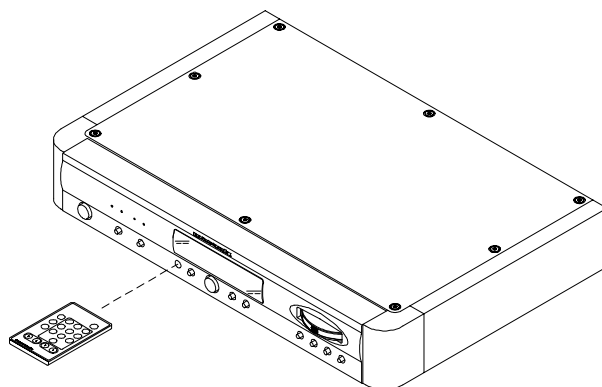


Fig. 4

Approved by C. Miyayama

Written by H. Tamura